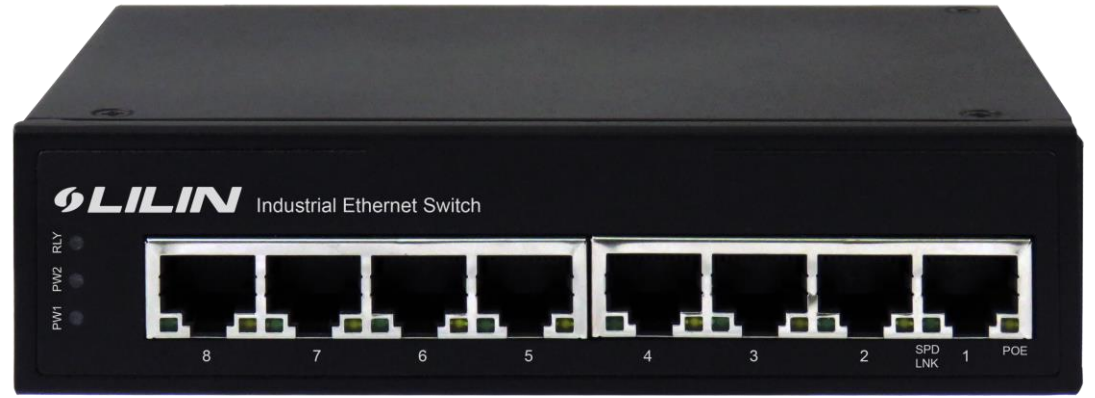


PS3089

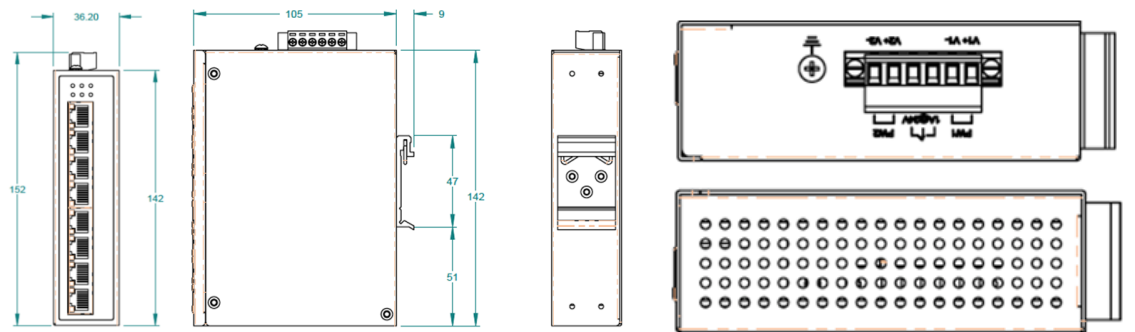
Gigabit POE Switch



This industrial 8 port high power POE switch is designed for 44-56VDC input sources, especially for IP surveillance, traffic monitoring and for a broad range of applications. It can be used as a stand-alone device for buses, trucks, and other vehicles for Surveillance purposes. It is being rigorously tested for your Security, Transportation and Telco application.

- ▶ Rugged Industrial 8 port Gigabit POE Switch
- ▶ With 8x10/100/1000 TX PSE (802.3af/at POE+)
- ▶ Operating temp: -40°C to +75°C

Dimension:



Technical Specifications

Gigabit POE Switch

Model#

PS3089

IEEE Standard

IEEE 802.3 10Base-T Ethernet / IEEE 802.3u 100Base-TX Fast Ethernet
 IEEE 802.3ab 1000Base-T Gigabit Ethernet / IEEE 802.3z 1000Base-X Gigabit Ethernet
 IEEE802.3x Flow Control and Back Pressure/ IEEE802.3af for POE/ IEEE802.3at for POE+

Switch Architecture / Data Processing / Packet buffer size

Back-plane (Switching Fabric): 16Gbps / Store and Forward / 1M

Flow Control / Jumbo Frame / MAC address table size

IEEE 802.3x Flow Control and Back Pressure / 9KB / 1K

Network connector

8xRJ-45 10/100/1000BaseT(X) auto negotiation, 8 Giga POE+ 802.3at/af PSE port
 Auto MDI/MDI-X function, Full/Half duplex

Network Cable

UTP/STP above Cat.5e Cable
 EIA/TIA-568 10-ohm (100m)

Protocol / Case Dimension (L x W x D)

CSMA/CD / 142mmx36.2mmx105mm

POE power

POE power per port 30watts. Maximum 36Watts
 Maximum total power 200Watts
 Supports IEEE802.3af/at

Removable terminal block

Provide 2 Redundant power , Alarm relay contact, 6 Pin
 Wire range: 0.34mm² to 2.5mm²
 Solid wire (AWG):12-24/14-22
 Stranded wire(AWG): 12-24/14-22
 Torque:5lb-In/0.5Nm/0.56Nm
 Wire Strip length: 7-8mm

LED

PW1(Power 1) Green, PW2(Power 2) Green, SW(relay) Amber,
 TX/RJ-45 port: LNK (Link/Active) Green, Amber: POE Detected

Reserve polarity protection & Overload current protection

Present

Power supply

Redundant Dual DC 44V-56V Power Input
 POE input 44-56VDC

Alarm Relay Contact

Relay outputs with current carrying capacity of 1 A @24VDC,
 Relay in short circuit mode when 2 powers are connected. in open circuit mode when only one power supply is connected

Power consumption / Installation

5.76W@48 VDC full load, Without POE / DIN Rail mounting and Wall Mounting

Housing

Rugged Metal, IP30 Protection

Operating temperature / Operating Humidity / Storage temperature

-20°C ~ 70°C fully tested / 5% to 95% (Non-condensing) / -40°C ~ 85°C

MTBF (mean time between failure)

510,304 hrs (MIL-HDBK-217F) at 25°C

Certifications

EN55022/24	ITE equipment
EN55011	Industrial, Scientific and Medical (ISM) equipment
Safety / EMC/EMS	IEC EN60950-1, CE, FCC, VCCI
EMI	FCC Part 15 Subpart B Class A, CE EN 55022 Class A
EN 50155 / EN 60068-2-6	Vibration
EN 50155 / EN 60068-2-27	Shock
EN 50155 / EN 60068-2-32	Free Fall
EN50121-3-2	Railway Applications – Electromagnetic Compatibility – Part 3-2 Rolling Stock - Apparatus
EN50121-4	Railway Applications – Electromagnetic Compatibility – Part4 Emissions and Immunity of the Signaling and Telecommunications Apparatus
EN50155	Railways Applications Electronic Equipment used on Rolling Stock