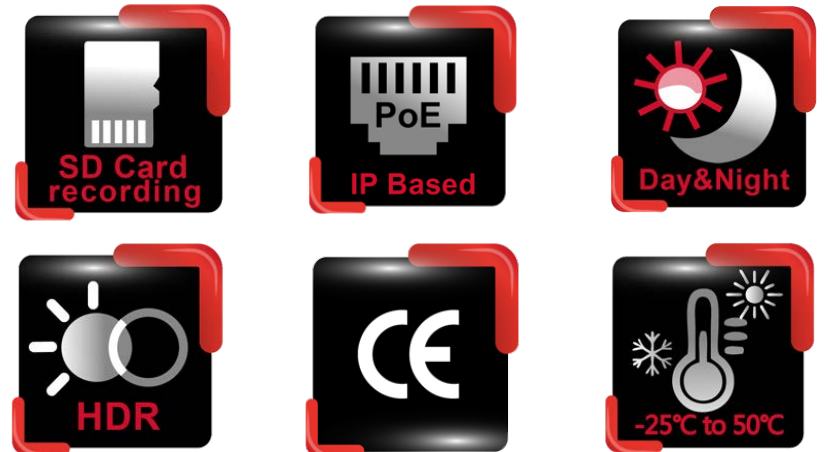


# SG1122 Full Bodied 60fps 1080P IP Camera

www.meritlilin.com



- ▶ Infrared-cut filter for day/night operations
- ▶ 60 frames per second – ultra fast frame rate
- ▶ Micro SD/SDHC/SDXC card recording supported
- ▶ Intelligent Video Surveillance analytics built-in
- ▶ 1080p resolution

### Viewing Objects to Ensure Pictures are Kept Sharp

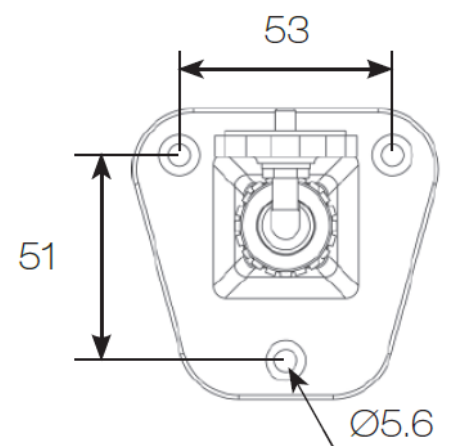
LILIN S Series camera – SG1122 is best-in-class IP camera, designed for a variety of applications. From LILIN's powerful latest technology, the S Series cameras have an ultra fast frame rate of 60 frames per second at Full HD 1080P resolution, this results in crystal clear images. SG1122 camera is built-in with IR-cut filter able to capture fast moving objects during daytime and nighttime.

### Dimensions:

70(W) x 50(H)x 135(D) mm



### Diagram of mounting holes:



## ONVIF-conformant

Open Network Video Interface Forum (ONVIF) is a standard for physical IP based security products. SG1122 camera is ONVIF Profile S conformant



## SD Cards in Sync with NAV Software

SG1122 camera with built-in Micro SD/SDHC/SDXC card slots can provide redundant video viewing and recording. You can synchronize an SD card with LILIN VMS (Video Management Software) – Navigator (NAV)



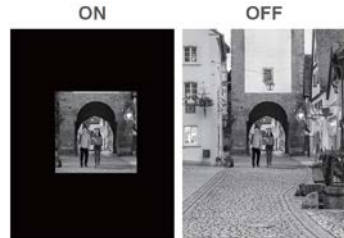
## 3D Noise Reduction

Remove noise from a signal. Suppressing noise in an image in low light conditions and able to retain quality videos at the same time



## Region of Interest (ROI)

A Region of Interest (ROI) is a specified part of an image that is highlighted from a camera. This feature is great for highlighting areas such as doors or areas of access where an overall scene is still required



## Face Detection

Automatically detects a human face



## Advanced Motion Detection

Detect motion and capture the events. Motion in the selected area will provoke an alert. Time of motion in given direction can be detected by simply drawing an arrow on the video



## Audio Detection

With Audio Detection technology, an alarm is triggered based on ambient sound conditions as the threshold



## Motion Detection

Detect motion and capture the event. Motion in the selected area will provoke an alert.



## 60 frames per second

60fps high frame rate ensure quick movements can be captured in more details, which is great for the most demanding surveillance requirements; i.e. railway system, freeway traffic, casino applications, and banking industry



## Sense Up+

Deliver outstanding video outputs in poor light conditions without experiencing motion blur. You can see video clearly even during nighttime without sufficient lighting support



## Video Security App

Available on Android and iOS – LILINViewer app provides security alarm push notification, real-time live viewing, and remote video playback



## High Dynamic Range

An High Dynamic Range (HDR) image is made by taking 3 frames of the same scene and each at different shutter speeds to display details of both the darkest and brightest areas. HDR can extend image visibility under high contrast lighting scenes and improve image quality



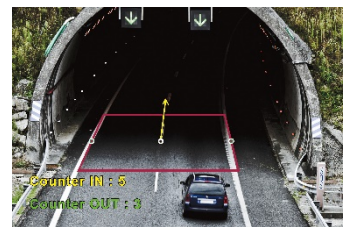
## Tripwire Detection

Tripwire Detection can be used where physical security is impractical or even impossible; i.e. railway tracks. An alarm can be enabled in either directions across the tripwire. Line Crossing that an object crossing a line drawn anywhere in the scene can be detected, and also Zone Intrusion that any arbitrary shape zone can be set to monitor intrusion



## Object Counting

Object Counting is able to accurately to input images containing similar objects. Intelligent Object Counting technology includes People Counting feature – people enter or exit an area over time can be counted, as well as Vehicle Counting feature – to detect and track vehicle in real-time



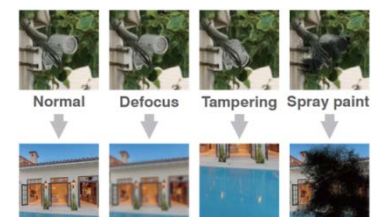
## Privacy Masking

Privacy Masking is a feature used to protect personal privacy by concealing private areas in the camera's field of view. Doorways and house windows for example are not subject to surveillance



## Tamper Detection

Automatically detects camera sabotage or failure. Detects any attempts to tamper with the camera – partially or completely blocking its lens or field of view





## Full Bodied 60fps 1080P IP Camera

### Video performance

Model#	SG1122E
Low Light Mode	0.04 Lux at F1.2 (Color);0.01 Lux at F1.2 (B/W)
2D WDR	Off / Auto / x2 / x3/ x4 (by normal mode)
High Dynamic Range	Up to 120 dB by HDR mode, 2 shutter lines interleave

### Power

Power consumption	DC12V, 7.2W / PoE, 8W
PoE	IEEE802.3af
Power supply	DC12V±10% Power over Ethernet (IEEE 802.3af compliant)

### Sensor

Sensor type	1/2.86-inch MOS
Total sensor pixels	1952 x 1266

### Certifications

CE	Yes, EMI CLASS A
FCC	Yes, EMI CLASS A

### Environmental

Operating temperature	-25°C to 50°C (-13°F to 122°F)
-----------------------	--------------------------------

### PC requirement

OS	Windows 2000, Windows XP, Windows Vista, Windows 7, Windows 8
CPU	Intel Core 2 Duo E6400 2.13GHz or above
RAM	2GB or above, Independent Display Card

### Mechanical

Dimensions (W x H x D)	70 x 50 x 135mm
Weight	420g approx.

### Input / output

Audio input	Mono, 1.4 Vp-p, 50 KΩ, 3.5mm phone jack
Audio output	
Alarm input	Digital 1 input (TTL, +3 – 5VDC) / 1 Output (MOS)
Alarm output	Relay contact – N.O., Load max. 40VDC/300mA)
Live video output	CVBS 1.0Vp-p, 75 ohm, RCA connector

### Video streaming

Video compression	H.264 (main & high profile); M-JPEG
Streaming	RTP / HTTP, RTP / TCP, RTP / UPP, Multicast Multiple configurable streams in H.264 and M-JPEG, configurable frame rate and bandwidth
Bitrate	128Kbps to 12Mbps Frame rate and bitrate controllable on-the-fly VBR / CBR / GOP supported
IP filter	Yes
RTSP Authentication	On / Off

### Network security

Max number of online users	10 users account available
Access	Multiple user access levels with password protection
Encryption	Base 64 HTTP encryption

### Video resolution (H x V)

1080p HD	1920 x 1080
720p HD	1280 x 720
D1	720 x 480
CIF	352 x 240
Frame rate	Dual-stream mode, H.264: up to 60 FPS @ 1920 x 1080, Motion JPEG: up to 30 FPS @ 720 x 480 HDR mode, H.264: up to 30 FPS @ 1920 x 1080, Motion JPEG: up to 30 FPS @ 720 x 480

### Video functions

Day/Night (IR-cut filter)	Colour (Day), Monochrome (Night), Auto, Schedule, External control
Scanning system	Progressive scan
Adjustable picture setting	Contrast, Brightness, Saturation
White balance	Auto / Tungsten / Indoor / Fluorescents1 / Fluorescents2 / Outdoor1 / Outdoor2
Shutter	1/30(1/25)s to 1/30000s
Back light compensation	On / Off
3D noise reduction	Off / 1 to 32 selectable
Privacy masking	Four independent areas
Sense Up	Off / 1 frame / 2 frames
Sense Up+	Yes
Auto gain control	54 dB variable gain
Other functions	Sharpness, Image flip, Image mirror, Defog, Hue
D/N quality setting	Yes

### Integration

Mobile application	Integrated to LILIN mobile app (LILINViewer) iPhone, iPad, Android support
Video management	ONVIF Profile S LILIN NAV 1.0 Third party VMS through LILIN HTTP API
SD card recording	Support Micro SD/SDHC/SDXC card for circular recording (card is not included)
Web browser	Microsoft® Internet Explorer® 6.0 and later
Firmware	Firmware upgrade via HTTP
Detection features	Motion detection, Tamper detection, Zone Entering, Direction detection, Zone crossing
Alarm functions	Tampering / audio / motion /alarm detection triggering recording into SD card Image upload over FTP and E-mail by tampering / audio / motion detection
Alarm event	FTP, SMTP, HTTP post, SD card, SAMBA
Alarm weighted mode	Yes

### Network

Ethernet	10/100/1000Mbps Base-T, RT-45
Connectivity	ONVIF Profile S
Users	8 simultaneous users
ePTZ & digital zoom	Yes, ROI (Region of Interest) is supported
OSD	Text overlay for date, time and camera name
CPU, Memory	Embedded SoC, 1.2GHz Dual ARM Cortex-A9 & 600MHz ARM11, 1GB DDR3,256MB flash memory
Video display	LILIN Universal ActiveX & LILIN Java Applet
OS	Embedded Linux 3.8.0
2-way audio	Two-way Audio, G.711 u-law / PCM / AAC, Built-in Microphone
Interface	RS-485, Half-Duplex, support MLP2, Pelco D/P protocols
Protocols	IPv4, IPv6, TCP, UDP, HTTP, SMTP, NTP, DDNS, UPnP, FTP, ARP, DHCP, PPPoE, DNS, RTSP, RTCP, Telnet, ICMP, IGMP, ONVIF Profile S, SNMP, SIP, Bonjour
Multi IP address	Yes
IVS Advanced 2.0	Motion Detection, Tampering Detection, Advanced Motion Detection, Traffic Light Detection, Tripwire Detection, Object Counting
IVS Advanced 2.1 (Optional)	Unattended Object Detection, Missing Object Detection, Crowd Detection, Loitering Detection, Face Detection